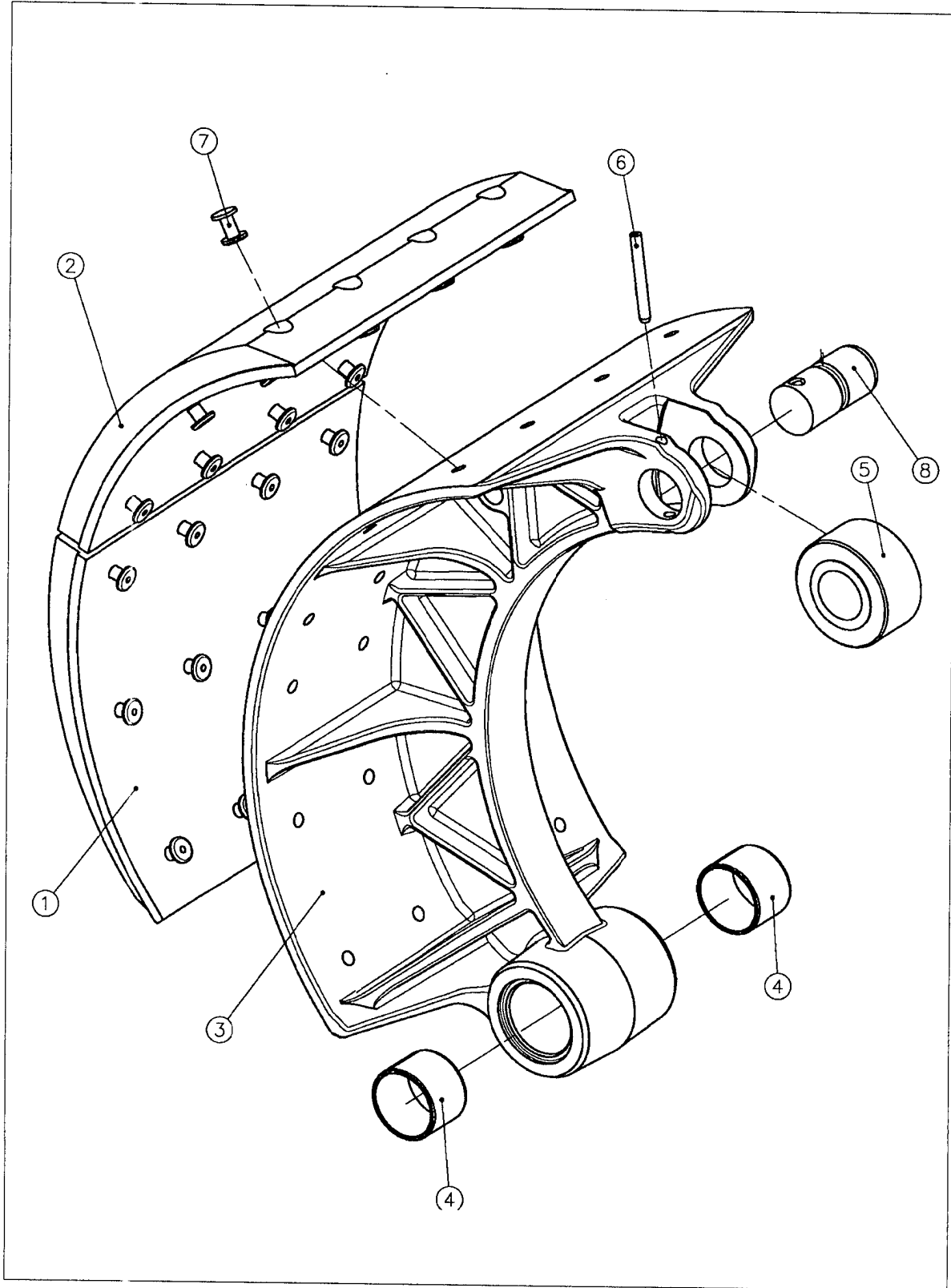
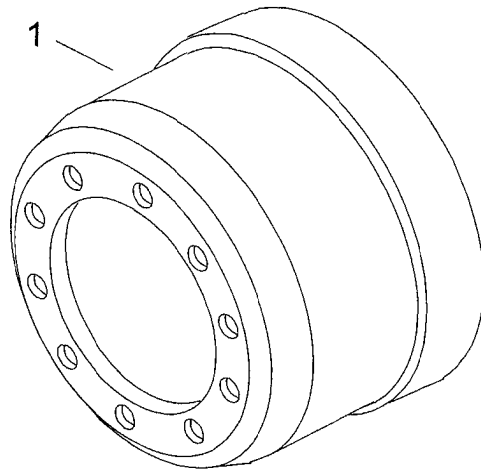


Item	Qty.	Order no.	Description	Note
1	2	146-111-2610	Brake Bracket	
2	2	146-331-0400	Anchor support	
3	2	146-131-2210	Dust Shield	210 mm
4	2	590-314-2062	Sleeve	D42/48x36
5	6	599-601-8900	Bush	D12/20/25x36
6	4	92052-30002	Return spring	D30x165.5
7	4	91122-04201	Shaft seal	D42/55x8
8	2	91726-43065	Support ring	D43/65x3
9	2	91402-10453	Grease nipple	M10x1, 45°
10	6	91421-06060	Shield hat	
11	4	095-553-2000	Shield plug	D33/44
12	6	90705-13023	washer	D13/24x2.5
13	4	90303-10203	Hex Screw	M10 x 20 - DIN 933 - 8.8
14	6	90303-12603	Hex Screw	M12x60
15	14	90303-08123	Hex Screw	M8x12
16	1	146-213-0400	S-cam shaft	RH, L=550, 1800 mm Track
16	1	146-213-0600	S-cam shaft	RH, L=590, 1880 mm Track
16	1	146-213-0800	S-cam shaft	RH, L=670, 2040 mm Track
17	1	146-213-0500	S-cam shaft	LH, L=550, 1800 mm Track
17	1	146-213-0700	S-cam shaft	LH, L=590, 1880 mm Track
17	1	146-213-0900	S-cam shaft	LH, L=670, 2040 mm Track
18	4	546-306-0083	Brake shoe assy	210mm, Beral1561
19	4	146-341-1200	Anchor bolt	With grease nipple
20	4	91402-10003	Grease nipple	M10x1, Straight
21	8	91106-36212	O-ring	D36,2x3 Viton



Item	Qty.	Order no.	Description	Note
1,2	ar	546-360-3113	Brake lining set	210mm, Beral1561, for one wheel
3	1	146-351-4100	Brake shoe	210 mm, o-ring sealing
4	2	590-313-2091	Sleeve	D32/36x25
5	1	146-371-0700	Roller	D25/54x28
6	1	90602-05450	Spring cotter	D5x40
7	24	91501-00819	Rivet	Included in lining set (pos 1,2)
8	1	146-373-0201	Pin	D25x50

546-360-3113 - 4 gkg
146-373-0201 -



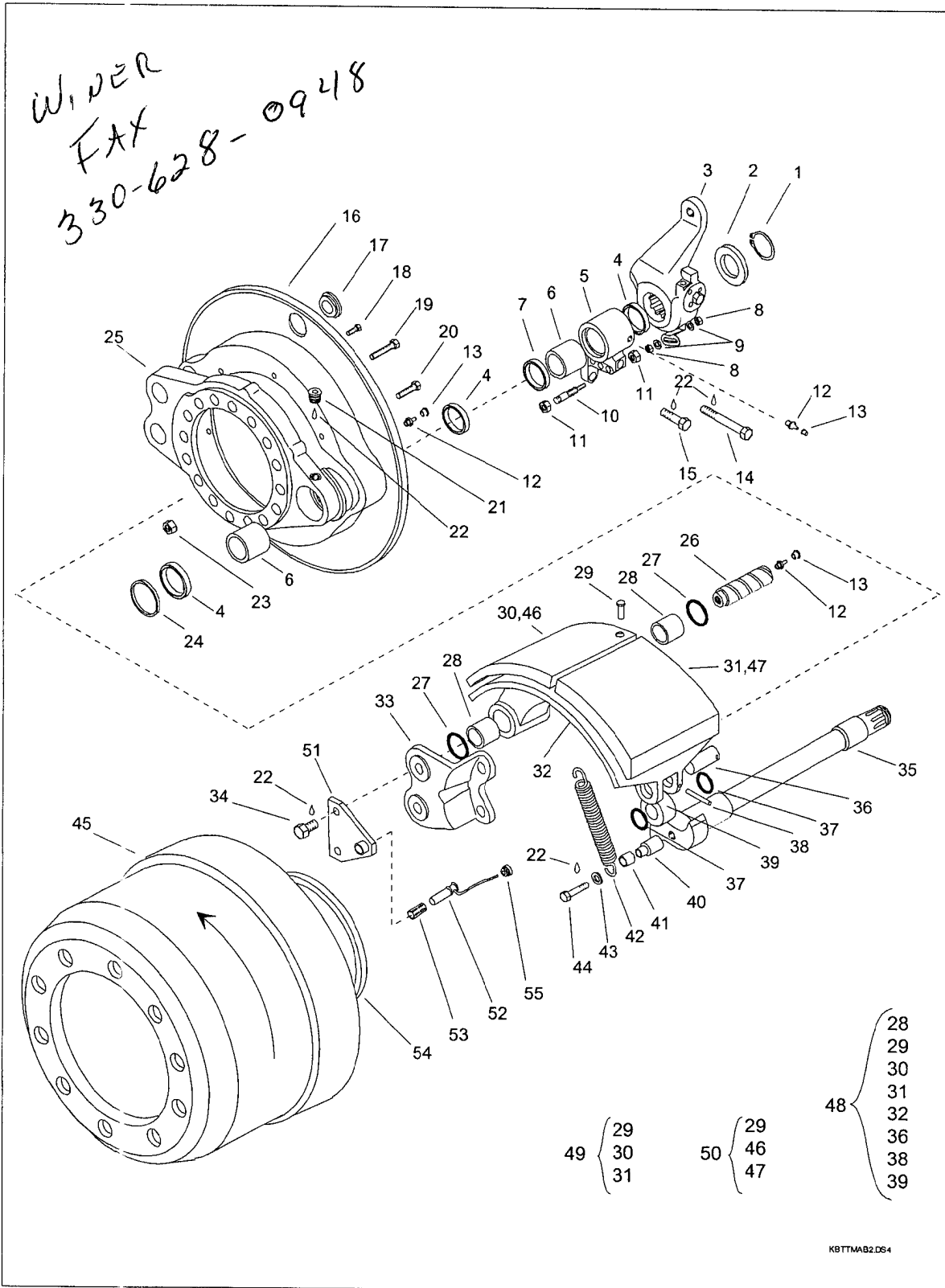
M203-036.DS4



Foremost Tandem Axle
Brake Drum
L831 M203-036

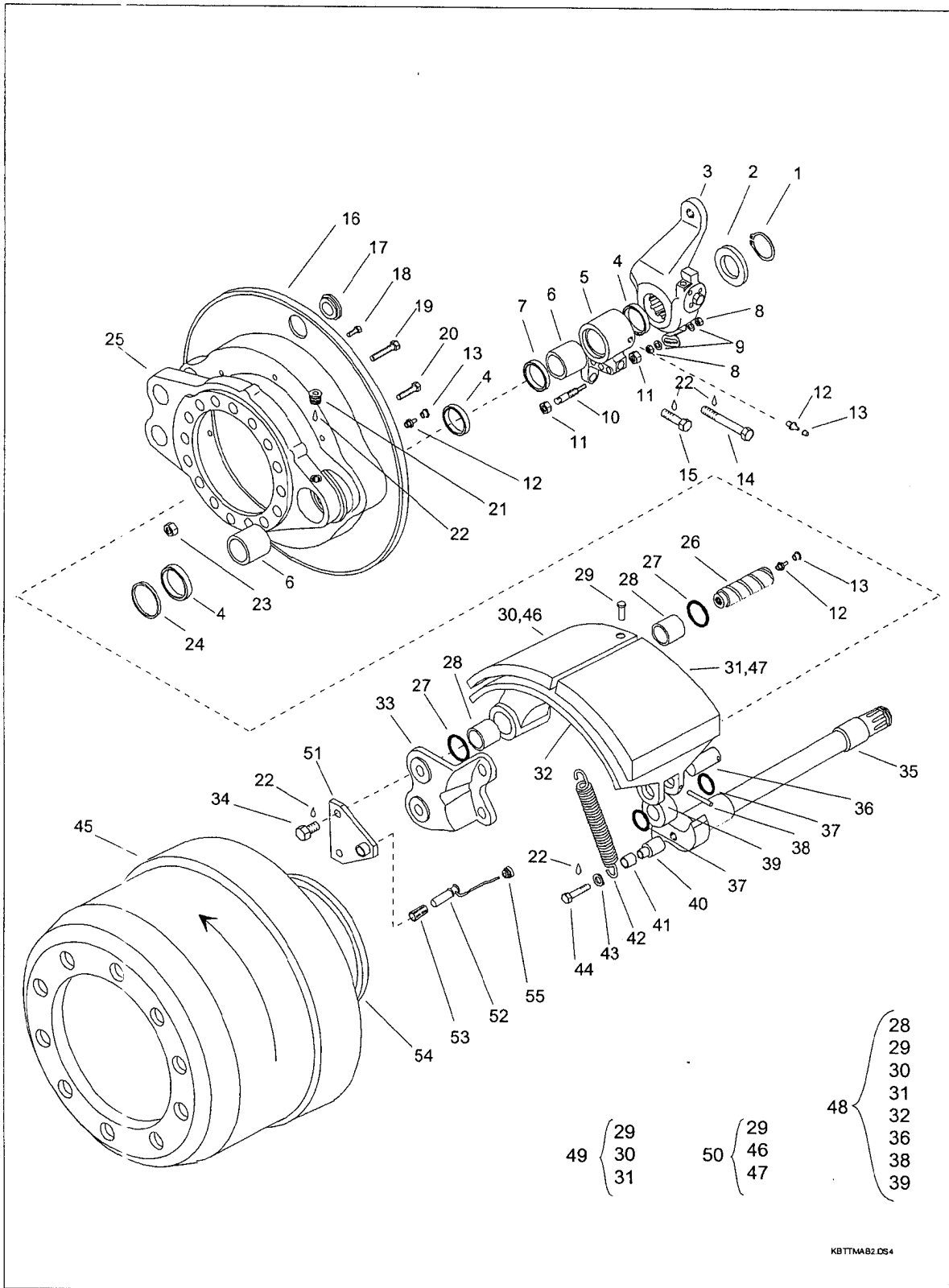
FRMP FRMP-13/16-S
Since No. 144393 (11/2004)
Book No. 289 (10/2006)

Item	Qty.	Order no.	Description	Note
0	0	0		
1	2	146-311-7910	Brake drum	



KBTTMAB2.DS4

Item	Qty.	Order no.	Description	Note
1	2	91712-04000	Retainer ring	D40x2.5
2	4	91726-43065	Support ring	D43/65x3
3	1	146-530-1011	Slack adjuster	RH, 145 mm, up to No. 20898 (4/2002)
3	1	146-530-1021	Slack adjuster	LH, 145 mm, up to No. 20898 (4/2002)
3	1	546-530-3111	Slack adjuster	LH, 165 mm, since No. 20899 (4/2002)
3	1	546-530-3121	Slack adjuster	RH, 165 mm, since No. 20899 (4/2002)
4	6	91122-04201	Shaft seal	D42/55x8
5	1	146-224-2310	Bearing housing	RH
5	1	146-224-2400	Bearing housing	LH
6	4	590-314-2062	Sleeve	Sub. for 090-314-2060
7	2	91122-04202	Shaft seal	D42/55x7
8	4	90502-08133	Nut	M8
9	4	90705-08423	washer	D8.4/17x1.6
10	2	90177-01203	Stud bolt	M12/M8
11	4	90502-12193	Nut	M12
12	4/8	91402-10003	Grease nipple	M10x1, Straight
13	4/8	91421-06060	Shield hat	
14	2	90301-16117	Hex Screw	M16x100, 10.9
15	2	90303-16407	Hex Screw	M16x40, 10.9
16	2	146-131-2210	Dust Shield	210 mm
17	4	095-553-2000	Shield plug	
18	14	90303-08123	Hex Screw	M8x12
19	24	90169-01401	Hex Screw	M14x45
20	4	90301-14558	Hex Screw	M14x55
21	2	90873-10053	Plug screw	M10x1, Allen head
22		95752-10010	Thread locking compound	
23	28	90550-14227	Nut	M14 self locking
24	2	91726-43065	Support ring	D43/65x3
25	2	146-111-2610	Brake Bracket	
26	4	146-341-1200	Anchor bolt	With grease nipple
26	4	146-341-1210	Anchor bolt	W/o grease nipple
27	8	91106-36212	O-ring	D36,2x3 Viton
28	8	590-313-2091	Sleeve	Sub. for 090-313-2090
29	96	91501-00819	Rivet	Not serviced separately
30	4	546-361-6313	Brake lining	210 mm, Beral1561, not serviced separately
31	4	546-361-6213	Brake lining	210 mm, Beral1561, not serviced separately
32	4	146-351-4100	Brake shoe	210 mm, with o-rings
33	2	146-331-0400	Anchor support	
34	4	90303-10203	Hex Screw	M10x20, w/o ABS
34	4	90303-10303	Hex Screw	M10x30, with ABS
35	1	146-213-0400	S-cam shaft	L=550, RH 1800 mm Track
35	1	146-213-0500	S-cam shaft	L=550, LH 1800 mm Track
35	1	146-213-0600	S-cam shaft	L=590, RH 1880 mm Track
35	1	146-213-0700	S-cam shaft	L=590, LH 1880 mm Track
35	1	146-213-0800	S-cam shaft	L=670, RH 2040 mm Track
35	1	146-213-0900	S-cam shaft	L=670, LH 2040 mm Track
36	4	146-373-0201	Pin	Substitute for 146-373-0200
37	8	91106-25232	O-ring	No longer used
38	4	90602-05450	Spring cotter	D5x40
39	4	146-371-0700	Roller	
40	6	599-601-8900	Bush	Substitute for 099-601-2480
41	6	099-601-7240	Bush	Obsolete NLA
42	4	92052-30002	Return spring	
43	6	90705-13023	washer	D13/24x2.5
44	6	90303-12603	Hex Screw	M12x60
45	2	146-311-7900	Brake drum	W/o valve groove, 146-311-7910 is substitute
45	2	146-311-7910	Brake drum	With valve groove, substitute for 146-311-7900
46		146-392-6306	Brake lining (over size)	Not serviced separately
47		146-392-6206	Brake lining (over size)	Not serviced separately
48	4	546-306-0083	Brake shoe assy	210mm, Beral1561
49	ar	546-360-3113	Brake lining set	210mm, Beral1561, for one wheel
50		146-360-1126	Br. lining set(over size)	210mm, for one wheel



Item	Qty.	Order no.	Description	Note
34	4	90303-10303	Hex Screw	M10x30
51	2	189-931-0900	Bracket	
52	2	189-250-0071	Sensor	Wabco, cable 1m, up to No. 133697 (12/2003)
52	2	589-250-0081	Sensor	Knorr, cable 2m, since No. 133698 (12/2003)
53	2	189-295-0000	Bush	
54	2	189-291-0000	Ring gear	100 Teeth, ABS
55	2	592235-17041	Rubber bushing	D4/17, for Wabco sensor
55	2	592235-17101	Rubber bushing	D10/17, for Knorr sensor